

# SUBMITTAL/TECHNICAL DATA SHEET



## SPECIFICATIONS

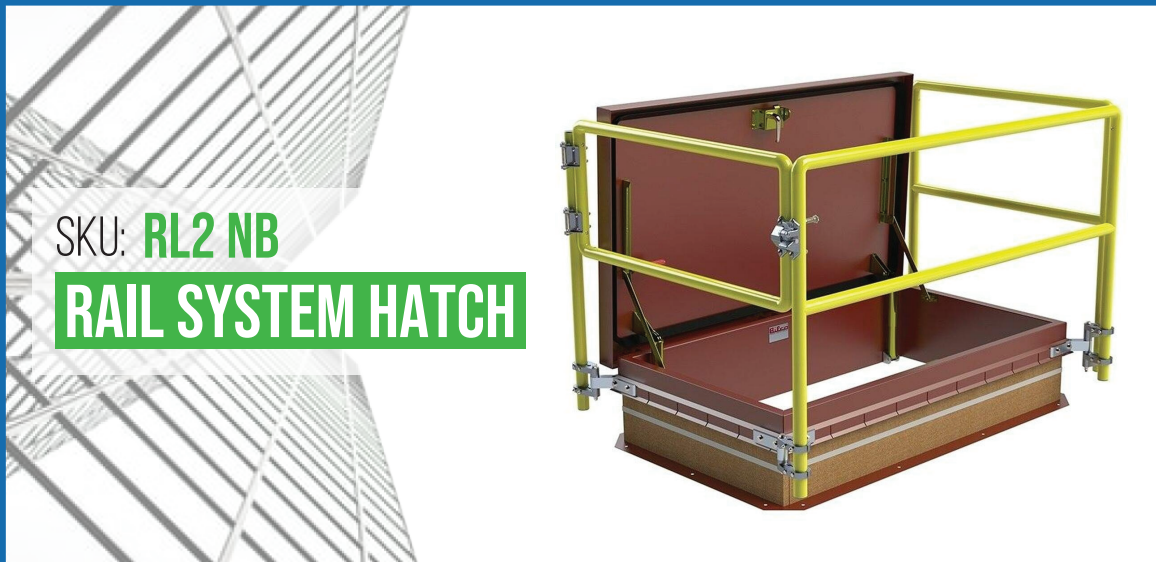
01. 1 1/4" Schedule 40 pipe in 6061 T6 aluminum alloy rails
02. Self closing gate
03. Aluminum post supports
04. Corner brackets
05. Stainless steel spring hinges
06. Cast aluminum gate latch with stainless steel pin

### NOTES:

01. Top of rail to be set 42" above the roof surface or deck
02. Left hand gate shown
03. All fasteners are stainless steel
04. All parts and fasteners are included in package. Capflashing must be structurally sound to support assembly
05. Powder coat finish in ral 1018, Safety yellow

ROOF SCUTTLE NOT INCLUDED

For a complete list of options visit [www.AccessDoorsAndPanels.com](http://www.AccessDoorsAndPanels.com)

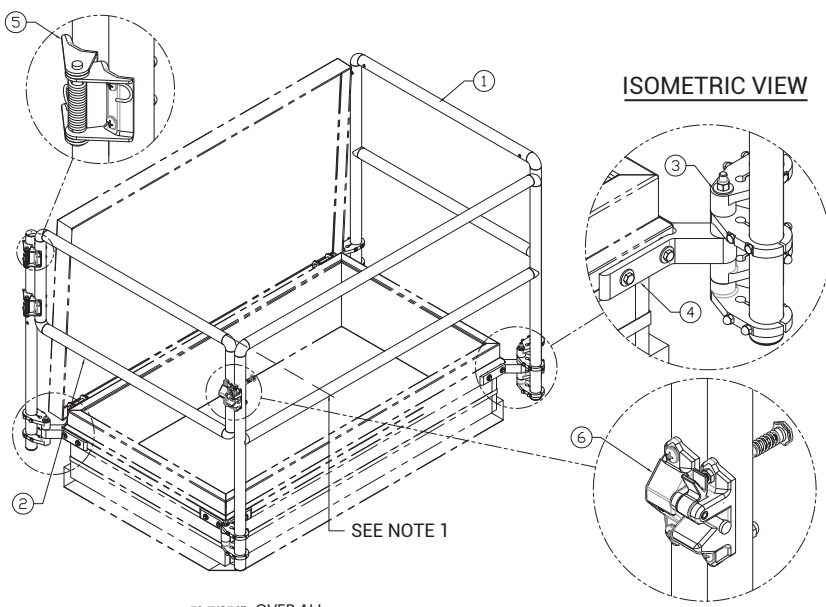


SKU: **RL2 NB**

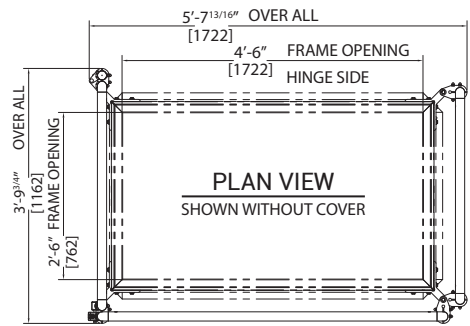
## RAIL SYSTEM HATCH

### DIMENSIONS AND APPEARANCE

>> CLICK TO VIEW ADDITIONAL DETAILS AND PRICING <<



ISOMETRIC VIEW



PLAN VIEW  
SHOWN WITHOUT COVER

**NOTE:**  
THIS DRAWING REPRESENTS OUR 2.0 HATCH RAIL SYSTEM, THE DOOR IS SHOWN FOR REFERENCE ONLY AND MAY NOT REFLECT ALL OPTIONS

QTY	TYPE	SIZE (INCHES) WIDTH X LENGTH
1	RL2-NB	2'-6" X 4'-6" [762MM X 1372MM] HINGE SIDE

### PROJECT DATA

Custom Sizes Available - Fast!

PROJECT NAME :	QTY	W	H	OPTIONS
ARCHITECT :				
DEALER :				
CONTRACTOR :				
LOCATION :	SPECIAL INSTRUCTIONS :			
DATE :				
TAGGING INSTRUCTIONS :	SUBMITTAL APPROVAL : (signature or stamp)			

Scan or Click



To view Pricing and Additional Product Info.

TELEPHONE:  
1-888-457-1275  
FAX:  
1-888-626-2907



PO BOX 66738 #76520,  
SAINT LOUIS, MO  
63166-6738  
USA



WEBSITE:  
[www.AccessDoorsAndPanels.com](http://www.AccessDoorsAndPanels.com)  
E-MAIL:  
[info@AccessDoorsAndPanels.com](mailto:info@AccessDoorsAndPanels.com)